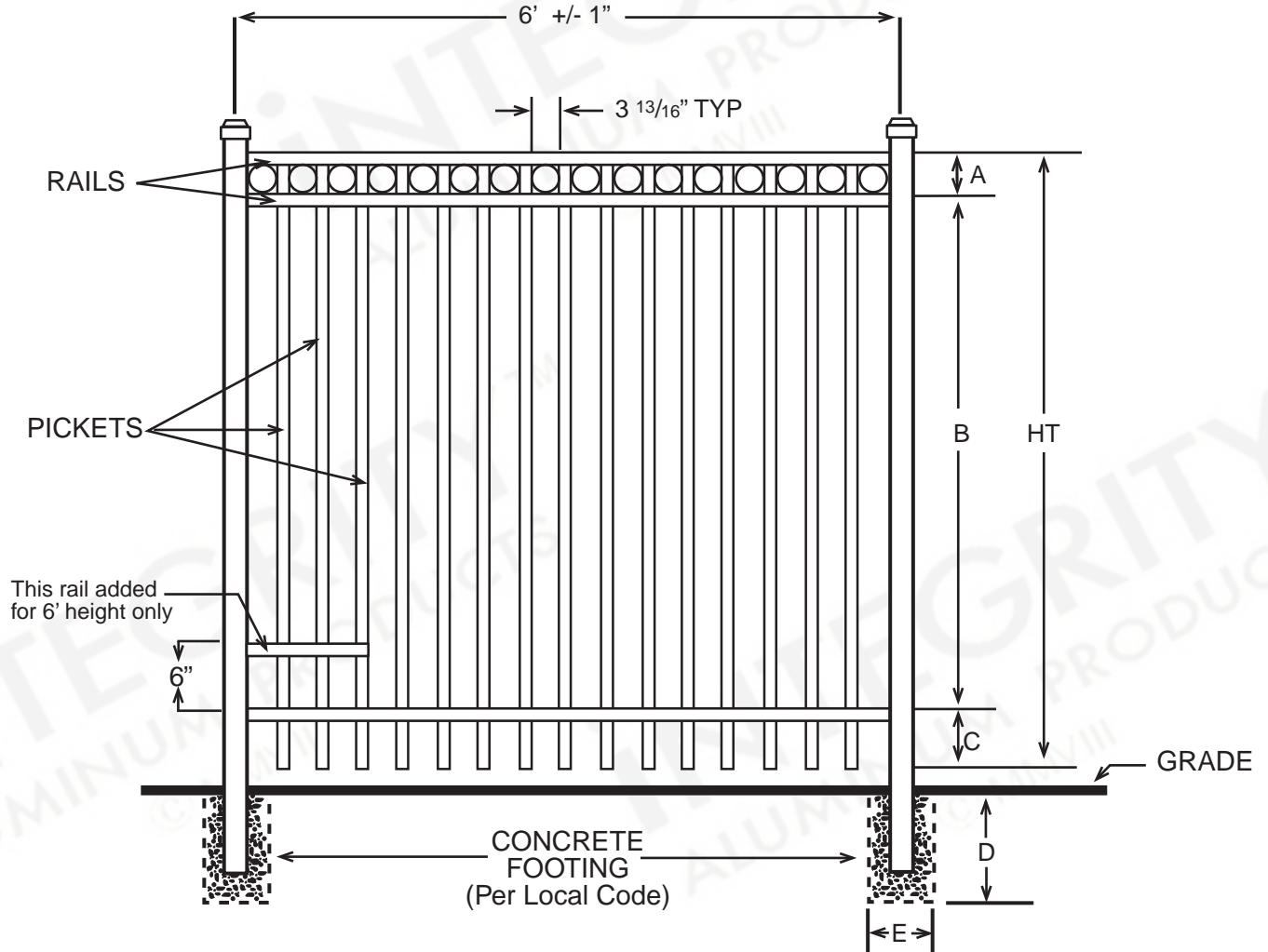


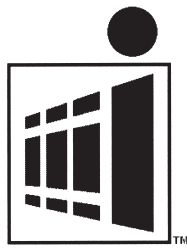
iNTEGRITY™
ALUMINUM PRODUCTS
800.762.8876



NAPA VALLEY™ CLASSIC

DIMENSIONS					
HT	A	B	C	D	E
3'	4½"	26"	5½"	Per Local Code	
3½'	4½"	32"	5½"	Per Local Code	
4'	4½"	38"	5½"	Per Local Code	
5'	4½"	50"	5½"	Per Local Code	
6'	4½"	62"	5½"	Per Local Code	
All Dimensions Are Nominal					

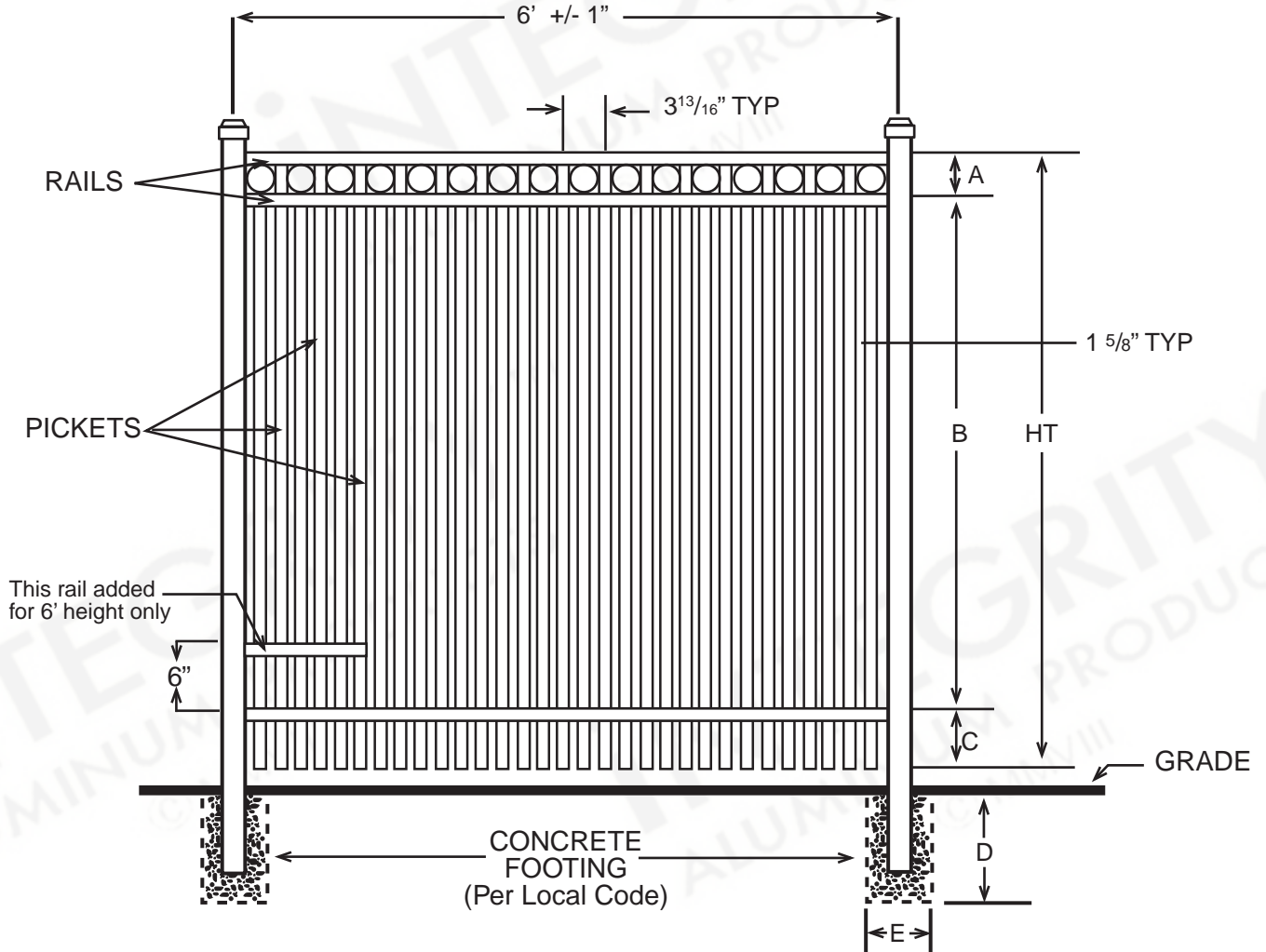
SPECIFICATIONS RESIDENTIAL	
Posts Available	2" x 2" x .060 Wall 2" x 2" x .080 Wall 2" x 2" x .125 Wall 2½" X 2½" X .100 Wall
Horizontal Rails Side Walls Top Walls	1⅛" x 1" .082" .062"
Pickets Picket Spacing	⅝" x ⅝" x .050 Wall 3 ¹³ / ₁₆ "
Heights Available	3, 3½, 4, 5 & 6 Ft.



iNTEGRITY™

ALUMINUM PRODUCTS

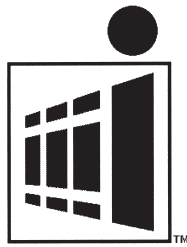
800.762.8876



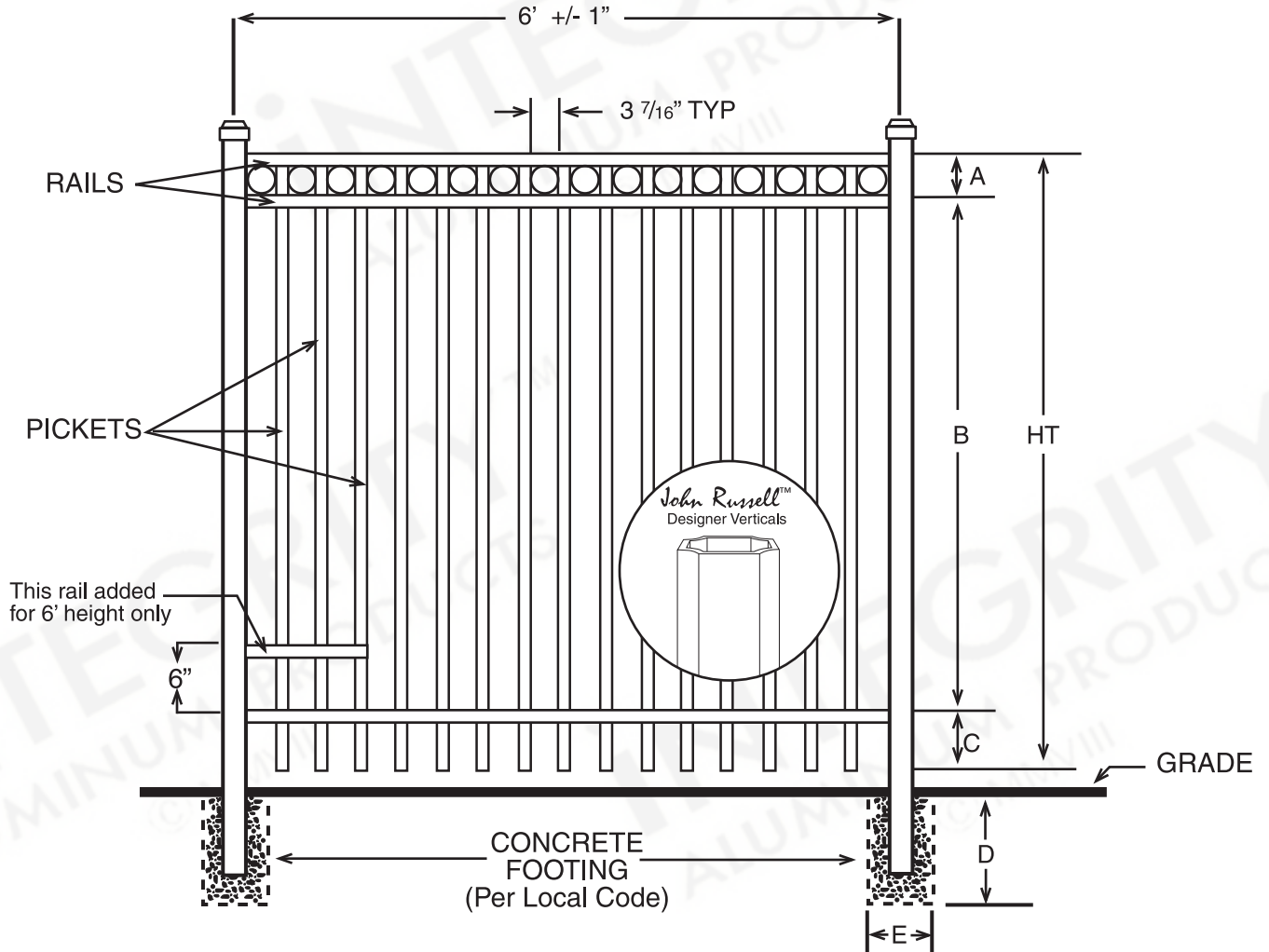
NAPA VALLEY™ CLASSIC EXTREME

DIMENSIONS					
HT	A	B	C	D	E
3'	4½"	26"	5½"	Per Local Code	
3½'	4½"	32"	5½"	Per Local Code	
4'	4½"	38"	5½"	Per Local Code	
5'	4½"	50"	5½"	Per Local Code	
6'	4½"	62"	5½"	Per Local Code	
All Dimensions Are Nominal					

SPECIFICATIONS RESIDENTIAL	
Posts Available	2" x 2" x .060 Wall 2" x 2" x .080 Wall 2" x 2" x .125 Wall 2½" X 2½" X .100 Wall
Horizontal Rails Side Walls Top Walls	1⅛" x 1" .082" .062"
Pickets Picket Spacing	⅝" x ⅝" x .050 Wall 1⅝"
Heights Available	3, 3½, 4, 5 & 6 Ft.



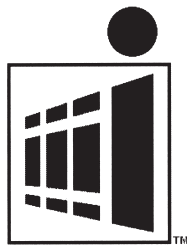
iNTEGRITY™
 ALUMINUM PRODUCTS
 800.762.8876



NAPA VALLEY™
 John Russell™ Designer Verticals

DIMENSIONS					
HT	A	B	C	D	E
3'	4½"	26"	5½"	Per Local Code	
3½'	4½"	32"	5½"	Per Local Code	
4'	4½"	38"	5½"	Per Local Code	
5'	4½"	50"	5½"	Per Local Code	
6'	4½"	62"	5½"	Per Local Code	
All Dimensions Are Nominal					

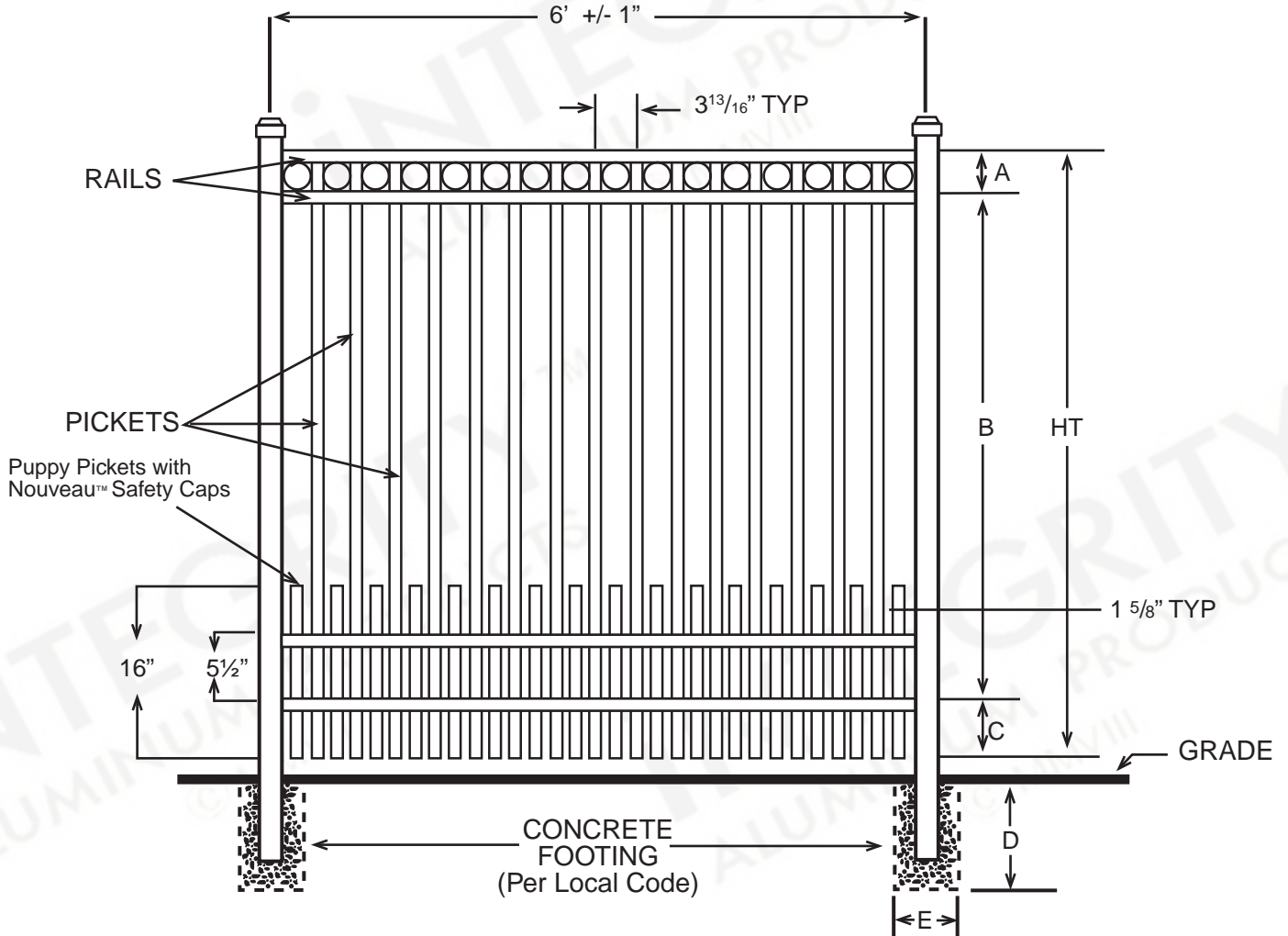
SPECIFICATIONS DESIGNER CLASSIC	
Posts Available	2" x 2" x .060 Wall 2" x 2" x .080 Wall 2" x 2" x .125 Wall 2½" X 2½" X .100 Wall
Horizontal Rails Side Walls Top Walls	1⅛" x 1" .082" .062"
Pickets Picket Spacing	1" x 5⁄8" x .062 Wall 3⅞"
Heights Available	3, 3½, 4, 5 & 6 Ft.



iNTEGRITY™

ALUMINUM PRODUCTS

800.762.8876



NAPA VALLEY™ CLASSIC w/ PUPPY PICKETS

DIMENSIONS					
HT	A	B	C	D	E
3'	4½"	26"	5½"	Per Local Code	
3½'	4½"	32"	5½"	Per Local Code	
4'	4½"	38"	5½"	Per Local Code	
5'	4½"	50"	5½"	Per Local Code	
6'	4½"	62"	5½"	Per Local Code	
All Dimensions Are Nominal					

SPECIFICATIONS RESIDENTIAL	
Posts Available	2" x 2" x .060 Wall 2" x 2" x .080 Wall 2" x 2" x .125 Wall 2½" X 2½" X .100 Wall
Horizontal Rails Side Walls Top Walls	1⅛" x 1" .082" .062"
Pickets Picket Spacing	⅝" x ⅝" x .050 Wall 3⅓/16" and 1⅝"
Heights Available	3, 3½, 4, 5 & 6 Ft.